

# PRATT®

## AWWA Butterfly Valves 3" – 20"



**Engineering Creative Solutions  
for Fluid Systems Since 1901**



401 South Highland Avenue  
 Aurora, Illinois 60506-5563  
[www.henrypratt.com](http://www.henrypratt.com)  
 phone: 630.844.4000  
 fax: 630.844.4160

## Table of Contents

### AWWA Butterfly Valve 3 through 20 inches:

Scope of Line – 3 through 20 inches	
2FII Butterfly Valve.....	1
Monoflange MKII Butterfly Valve.....	1
Design Details.....	2
Features and Benefits .....	3
C <sub>v</sub> Values .....	3
Suggested Specifications .....	4
Dimensions –	
2FII (Flanged) .....	5
Monoflange MKII (Wafer) .....	5
2MII (Mechanical Joint) .....	6
2MFII (Mechanical Joint and Flanged).....	6
2PII & 2FPII (Push-On and Push-On X Flanged).....	7
Actuator Dimensional Data .....	8

## Scope of Line: AWWA In-Plant Rubber Seated Butterfly Valves



*Model 2FII Butterfly Valve*

### **Model 2FII Flanged Butterfly Valve**

**Sizes:** 3 through 20 inches

**Body Style:** Flanged x flanged ends

#### **Other Body Style Options/Combinations:**

- Mechanical joint
- Flanged & mechanical joint
- Push-on
- Push-on & flanged

#### **Pressure Class:**

- Class 150B per AWWA Standard C504

**Working Pressure:** 150 psig

#### **Flanges:**

- Flat faced and drilled in accordance with ANSI B16.1, Class 125 standards.

**Rubber Seat:** Bonded seat-in-body

#### **Actuation Options:**

- Pratt® hand lever
- MDT manual actuator with AWWA nut, handwheel or chainwheel
- Pratt Dura-Cyl hydraulic or pneumatic cylinder

### **Monoflange MKII Wafer Butterfly Valve**

**Sizes:** 3 through 20 inches

**Body Style:** Wafer-type

#### **Pressure Class:**

- Class 150B per AWWA Standard C504

**Working Pressure:** 150 psig

#### **Rubber Seat:**

- Bonded seat-in-body overlaps sidewall surfaces to form self-gasketing feature

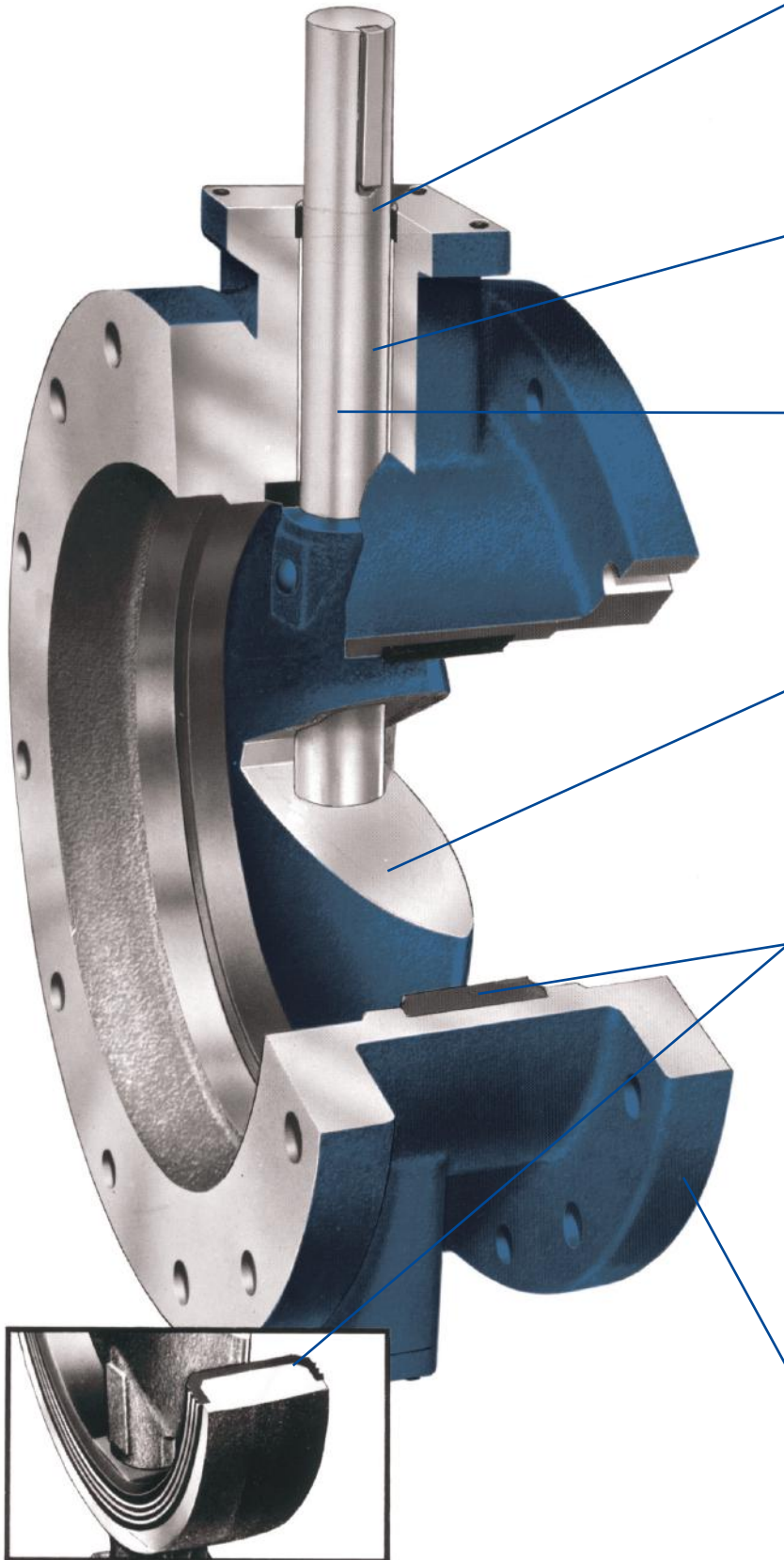
#### **Actuation Options:**

- Pratt® hand lever
- MDT manual actuator with AWWA nut, handwheel or chainwheel
- Pratt® Dura-Cyl hydraulic or pneumatic cylinder



*Monoflange MKII Butterfly Valve*

## Design Details: Models 2FII and MKII



### Self Adjusting Permanent Packing

Chevron type packing increases sealing force as line pressure increases. The self adjusting packing bears on turned, ground and polished stainless steel, minimizing wear and assuring long life. Packing is accessible for replacement without dismantling the valve per AWWA Standard C504.

### Lifetime Bearings

Our chemically inert nylon bearings are sized to meet or exceed AWWA specification pressure loads. They are self-lubricating, require no periodic maintenance and are designed to outlast the life of the pipeline.

### Corrosion Resistant Shafts

The shafts in the Pratt® rubber seated butterfly valves, 3" through 20", are constructed of centerless, ground ASTM A276 type 304 or type 316 stainless steel bar and thus are not susceptible to corrosion as are carbon steel or other similar materials. Shafts are one-piece, through-shaft construction, sized to meet or exceed the requirements of AWWA Standard C504 for Class 150B butterfly valves.

### Streamlined Discs

Our lens-shaped discs are designed to minimize pressure drop and turbulence. In the full open position, the disc creates no more friction loss than a 45° elbow. Discs are secured to shafts by stainless steel pins to transmit required torques and withstand stresses imposed under a variety of operating conditions.

### Body Seat

Our standard seats are constructed of Buna N rubber and bonded to the valve body in Pratt® manufacturing facility using a unique thermal process. This molding process ensures that the disc-to-seat interference will not cause excessive wear or abrasion under normal operating conditions. On the wafer type MKII bodies, the rubber seat covers the entire inner surface plus the outside face of the valve body to provide a self-gasketing feature.

Pratt® seat-in-body design minimizes the effects of corrosive buildup on the inside of the valve because deposits are swept away by the hard sealing edge of the disc each time the valve is exercised.

### Heavy Duty Bodies

At a minimum, both Monoflange MKII and Model 2FII bodies are heavy duty cast iron. Model 2FII flanges are fully faced and drilled in accordance with ANSI B16.1, Class 125 standard for cast iron flanges. Monoflange MKII bodies incorporate an overlapping seat which also forms a gasket for the flange face. The actuator mounting trunnion is machined and drilled for a 4-bolt connection.

## Features and Benefits: of Pratt® Models 2FII and MKII

Feature	Benefit
<b>Seat-in-body design Seat molded in recessed body cavity, protected by metal on 3 sides</b>	<ul style="list-style-type: none"> <li>Reduces seat failure due to corrosive buildup in the valve and pipeline. No hardware to loosen. No periodic maintenance required. Rubber protected from flow media to increase seat life.</li> </ul>
<b>Valve withstood proof-of-design testing of 100,000 cycles – AWWA only requires a maximum 10,000 cycle proof-of-design testing</b>	<ul style="list-style-type: none"> <li>Proven reliability over the life of the valve</li> </ul>
<b>Through-disc pinning</b>	<ul style="list-style-type: none"> <li>Provides a tight disc-to-shaft pin connection, greatly reducing the possibility of loosening through vibration</li> </ul>
<b>Symmetrical lens-shaped disc</b>	<ul style="list-style-type: none"> <li>Higher <math>C_v</math> : lower head loss results in energy savings for customer's system</li> </ul>
<b>Nonmetallic bearings</b>	<ul style="list-style-type: none"> <li>Prevents galvanic corrosion and provides lower coefficient of friction</li> </ul>
<b>Chevron V-type packing</b>	<ul style="list-style-type: none"> <li>Self-adjusting, lasts the life of the valve</li> </ul>

Valve Size	$C_v$	Valve Size	$C_v$	Valve Size	$C_v$
3"	323	10"	4458	16"	11413
4"	575	12"	6420	18"	14444
6"	1294	14"	8738	20"	17832
8"	2300	$C_v$ values for the 2FII and MKII in the full open position			

Valve Model	Body	Seat	Disc	Shaft
2FII / MKII 3"-6"	ASTM A536 (65-45-12) Ductile Iron	EPDM**	CF8M or Nickel Al/Bz (6")	Stainless Steel, Type 304
2FII 8" - 20"	ASTM A126, Class B Cast Iron*	EPDM**	Cast Iron/316 Edge or Nickel Al/Bz	Stainless Steel, Type 304
MKII 8"-20"	ASTM A536, (65-45-12) Ductile Iron	EPDM**	Cast Iron/316 Edge	Stainless Steel, Type 304

\* Model 2FII valves also available with optional ASTM A536 (65-45-12) ductile iron body for all sizes and ductile iron disc on sizes 8"-20"

\*\*Also available with optional Buna seat

# Suggested Specification for the Pratt® Rubber Seated Butterfly Valve, Sizes 3 through 20 inches

## General

Butterfly valves shall be manufactured in accordance with the latest revision of AWWA C504, Class 150B and conform to ANSI/NSF 61 and ANSI NSF 372. The manufacturer shall have produced AWWA butterfly valves for a minimum of five years. All valves shall be either Pratt® Model 2FII or Monoflange MKII and comply with the following details.

## Valve Bodies

At a minimum, valve bodies shall be constructed of ASTM A126, Class B cast iron for 8" - 20" flanged valves or ASTM A536 (65-45-12) for wafer style and 3" - 6" flanged valves. Flanged valves shall be fully faced and drilled in accordance with ANSI Standard B16.1, Class 125.

## Valve Seats

Rubber body seats shall be of one piece construction, simultaneously molded and bonded into a recessed cavity in the valve body. Seats may not be located on the disc or be retained by segments and/or screws. For wafer style valves, the seat shall cover the entire inner surface of the valve body and overlap the sidewall face of the valve body to form a flange gasket.

## Valve Bearings

Valve bearings shall be of a self-lubricating, nonmetallic material to effectively isolate the disc-shaft assembly from the valve body. Metal-to-metal thrust bearings in the flow stream are not allowed.

## Valve Disc

The disc shall be a lens-shaped design to afford minimal pressure drop and line turbulence. At a minimum, materials of construction shall be:

- 3"-6" – ASTM A351 Gr. CF8M stainless steel disc
- 8"-20" – ASTM A126, Class B cast iron disc with a stainless steel type 316 edge

Discs shall be retained by stainless steel pins which should extend through the full diameter of the shaft to withstand the specified line pressure up to valve rating and the torque required to operate the valve. Disc stops located in the flow stream are not allowed.

## Valve Shafts

Valve shafts shall be of stainless steel type 304. At the operator end of the valve shaft, a packing gland utilizing "V" type chevron packing shall be utilized. "O" ring and/or "U" cup packing is not allowed.

## Painting

All surfaces of the valve interior shall be clean, dry and free from grease before painting. The valve interior and exterior, except for disc edge, rubber seat and finished portions shall be evenly coated with an NSF61 approved 2-part liquid epoxy. Minimum dry film thickness shall be 8 Mil.

## Testing

Hydrostatic and seat leakage tests shall be conducted in strict accordance with AWWA Standard C504.

## Proof of Design

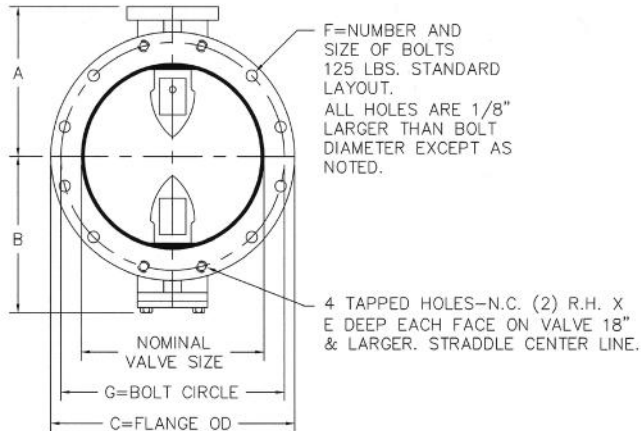
The manufacturer furnishing valves under the specification shall be prepared to provide Proof of Design Test reports to illustrate that the valves supplied meet the design requirements of AWWA C504.

**Manual Actuators:** Manual actuators shall be of the traveling nut, self-locking type and shall be designed to hold the valve in any intermediate position between fully open and fully closed without creeping or fluttering. Actuators shall be equipped with mechanical stop-limiting devices to prevent overtravel of the disc in the open and closed positions. Actuators shall be fully enclosed and designed to produce the specified torque with a maximum pull of 80 lb. on the handwheel or chainwheel. Actuator components shall withstand an input torque of 450 Lb. Ft. at extreme operator position without damage. Manual actuators shall conform to AWWA C504 and shall be Pratt MDT or an approved equal.

**Powered Actuators:** Refer to Pratt® Butterfly Valve Actuator brochure for suggested specifications and detailed information regarding cylinder actuators and electric actuators.

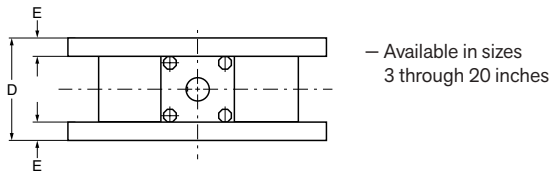


## Dimensional Data: Model 2FII, Flanged Butterfly Valve

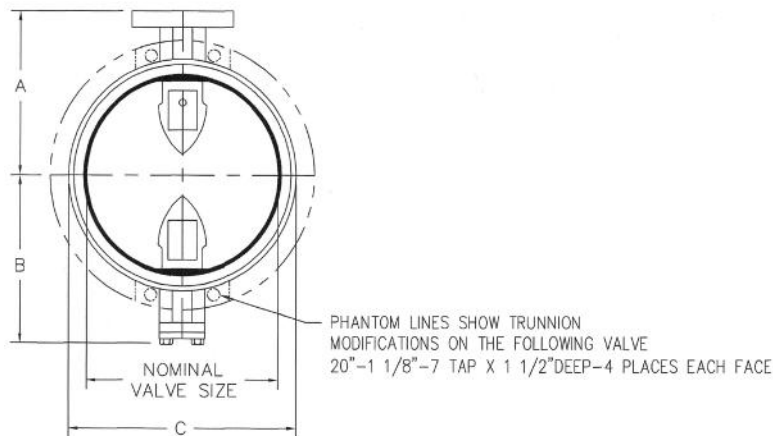


Nominal Valve Size	A	B	C	D	E	F	G
3	4-3/4	3/4	7-1/2	5	3/4	4 - 5/8	6
4	5-1/2	3-1/2	9	5	15/16	8 - 5/8	7-1/2
6	6-1/2	5-1/8	11	5	1	8 - 3/4	9-1/2
8	7-3/4	6-1/2	13-1/2	6	1-1/8	8 - 3/4	11-3/4
10	9	9-7/8	16	8	1-3/16	12 - 7/8	14-1/4
12	10-1/2	11-3/8	19	8	1-1/4	12 - 7/8	17
14	11-7/8	12-3/4	21	8	1-3/8	12 - 1	18-3/4
16	13-1/2	14-3/8	23-1/2	8	1-7/16	16 - 1	21-1/4
18	14-3/8	15-1/4	25	8	1-9/16	16 - 1-1/8	22-3/4
20	16	16-7/8	27-1/2	8	11-1/16	20 - 1-1/8	25

All dimensions shown in inches.

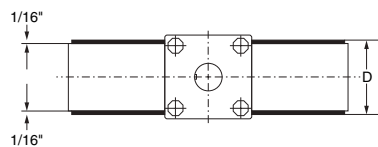


## Dimensional Data: Monoflange MKII Wafer Butterfly Valve



Nominal Valve Size	A	B	C	D
3	4-3/4	3-1/4	5-1/4	2-1/16
4	5-1/2	3-1/2	6-3/4	2-5/16
6	6-1/2	5-1/8	8-5/8	2-15/16
8	7-3/4	6-1/2	10-7/8	3-1/16
10	9	9-7/8	13-1/4	3-3/16
12	10-1/2	11-5/16	16	3-7/16
14	11-7/8	12-3/4	17-5/8	3-11/16
16	13-1/2	14-3/8	20-1/8	4-3/16
18	14-3/8	15-1/4	21-1/2	4-11/16
20	16	16-13/16	23-3/4	5-3/16

All dimensions shown in inches.

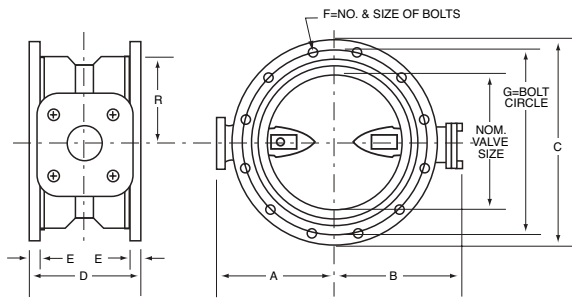


See Note 1.

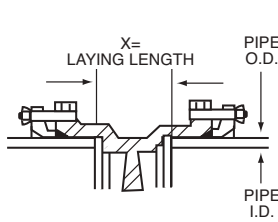
VALVE SIZE (in.)	DISC O.D. (in.)	MINIMUM MATING PIPE I.D. (in.)
3	3.089	2.41
4	4.074	3.44
6	6.070	5.38
8	8.078	7.53
10	10.098	9.62
12	12.108	11.64
14	13.339	12.86
16	15.336	14.79
18	17.370	16.75
20	19.380	18.71

Note 1: Min. Pipe I.D. value has zero clearance between mating pipe and valve disc. Properly sized piping must include appropriate clearance.

# Dimensional Data: Model 2MII Mechanical Joint End Butterfly Valve



Nominal Valve Size	A	B	C	D	E	F	G	X
4	5-1/2	3-1/2	9	8-1/8	1	4 - 3/4	7-1/2	3-1/8
6	6-1/2	5-1/8	11	8-1/2	1-1/16	6 - 3/4	9-1/2	3-1/2
8	7-3/4	6-1/2	13-1/4	8-5/8	1-1/8	6 - 3/4	11-3/4	3-5/8
10	9	9-3/4	15-9/16	9-1/4	1-3/16	8 - 3/4	14	4-1/4
12	10-1/2	11-3/8	17-15/16	9-1/4	1-1/4	8 - 3/4	16-1/4	4-1/4
14	11-7/8	12-3/4	20-5/16	11-1/2	1-5/16	10 - 3/4	18-3/4	4-1/2
16	13-1/2	14-5/16	22-9/16	12	1-3/8	12 - 3/4	21	5
18	14-3/8	15-3/8	24-11/16	12-1/4	1-3/8	12 - 3/4	23-1/4	5-1/4
20	16	17	27-3/32	12-1/2	1-1/2	14 - 3/4	25-1/2	5-1/2



See Note 1.

PIPE SIZE	PIPE O.D.	PIPE I.D. MIN.
4	4.80	3.10
6	6.90	5.69
8	9.05	7.65
10	11.10	9.93
12	13.20	11.70
14	15.30	12.91
16	17.40	14.91
18	19.50	16.95
20	21.60	18.96

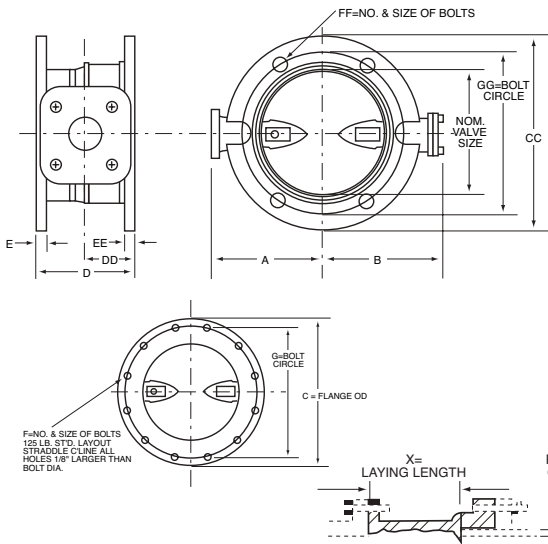
All dimensions shown in inches.  
Mechanical joint end is in compliance with ANSI 21.11.

— Available in sizes  
4 through 20 inches

### Installation Diagram

Note: The following items to be furnished by others unless otherwise specified in contract: **Bolts, Glands, Nuts, Gaskets**

# Dimensional Data: Model 2MFII Mechanical Joint and Flange End Butterfly Valve



Nominal Valve Size	A	B	C	CC	D	DD	E	EE	F	FF	G	GG	X
6	6-1/2	5-1/8	11	11	6-3/4	4-1/4	1-1/16	1-1/16	8 - 3/4	6 - 3/4	9-1/2	9-1/2	4-1/4
8	7-3/4	6-1/2	13-1/2	13-1/4	7-5/16	4-5/16	1-1/8	1-1/8	8 - 3/4	6 - 3/4	11-3/4	11-3/4	4-13/16
10	9	9-7/8	16	15-9/16	8-5/8	4-5/8	1-1/4	1-3/16	12 - 7/8	8 - 3/4	14-1/4	14	6-1/8
12	10-1/2	11-3/8	19	17-15/16	8-5/8	4-5/8	1-1/4	1-1/4	12 - 7/8	8 - 3/4	17	16-1/4	6-1/8
14	11-7/8	12-3/4	21	20-5/16	9-3/4	5-3/4	1-3/8	1-5/16	12 - 1	10 - 3/4	18-3/4	18-3/4	6-1/4
16	13-1/2	14-3/8	23-1/2	22-9/16	10	6	1-7/16	1-3/8	16 - 1	12 - 3/4	21-1/4	21	6-1/2
18	14-3/8	15-1/4	25	24-11/16	10-1/8	6-1/8	1-9/16	1-7/16	16 - 1-1/8	12 - 3/4	22-3/4	23-1/4	6-5/8
20	16	16-7/8	27-1/2	27-3/32	10-1/4	6-1/4	11-1/16	1-1/2	20 - 1-1/8	14 - 3/4	25	25-1/2	6-3/4

All dimensions shown in inches.

See Note 1.

PIPE SIZE	PIPE O.D.	PIPE I.D. MIN.
4	4.80	3.10
6	6.90	5.69
8	9.05	7.65
10	11.10	9.93
12	13.20	11.70
14	15.30	12.91
16	17.40	14.91
18	19.50	16.95
20	21.60	18.96

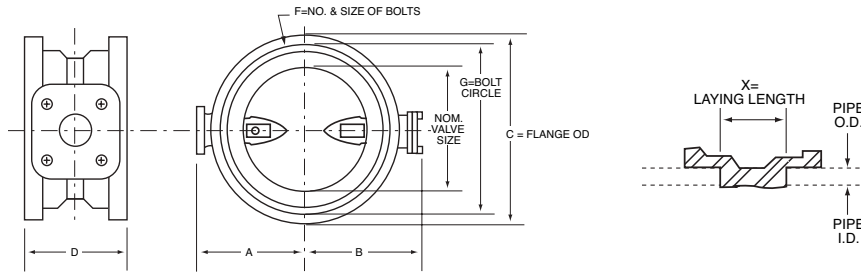
**Installation Diagram**  
Note: **Bolts, Nuts, Glands and Gaskets** furnished by others unless otherwise specified in contract.

— Available in sizes  
6 through 20 inches.

Note 1: Min. Pipe I.D. value has zero clearance between mating pipe and valve disc. Properly sized piping must include appropriate clearance.



# Dimensional Data: Model 2PII Push-On Joint End Butterfly Valve



**Installation Diagram**  
Note: Rubber ring gaskets furnished by others unless otherwise specified in contract.

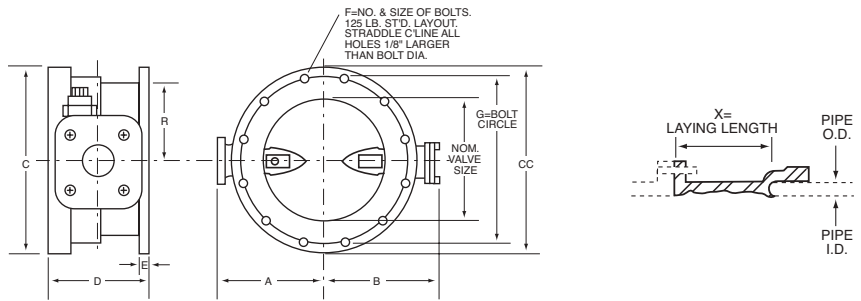
See Note 1.

Pipe Size	Pipe O.D.	Min. Pipe I.D.
4	4.80	2.61
6	6.90	4.96
8	9.05	7.22
10	11.10	9.22
12	13.20	10.97
14	15.30	12.56
16	17.40	14.59

Nominal Valve Size	A	B	C	D	X
4	5-1/2	3-1/2	6-7/8	10-3/8	3-1/8
6	6-1/2	5-1/8	9	10-3/4	3-1/2
8	7-3/4	6-1/2	11-1/4	12	3-5/8
10	9	9-7/8	14	12-5/8	4-1/8
12	10-1/2	11-3/8	16-3/8	15	5-1/8
14	11-7/8	12-3/4	18-7/8	14-3/4	4-1/2
16	13-1/2	14-3/8	21-1/4	15	4-3/4

- All dimensions shown in inches.
- Available in sizes 4 through 16 inches.
- D ± 1/16" through 10" valves, ± 1/8" for 12" and larger valves.
- The valve end is designed for iron or PVC pipe with cast iron equivalent O.D.s (not for use with IPS O.D. pipe.)
- Use with "Tyton" (Reg. T.M. or U.S. Pipe & Foundry Co.) rubber ring gasket.

# Dimensional Data: Model 2FPII Push-On X Flange End Butterfly Valve



**Installation Diagram**  
Note: Bolts, Nuts, and Rubber Gaskets furnished by others unless otherwise specified in contract.

See Note 1.

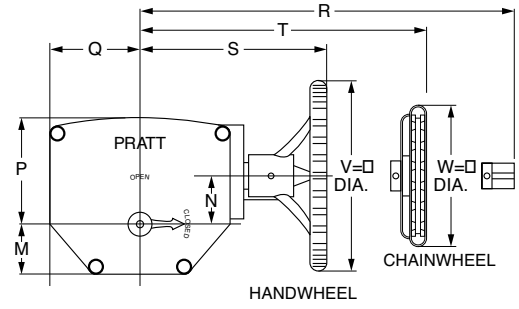
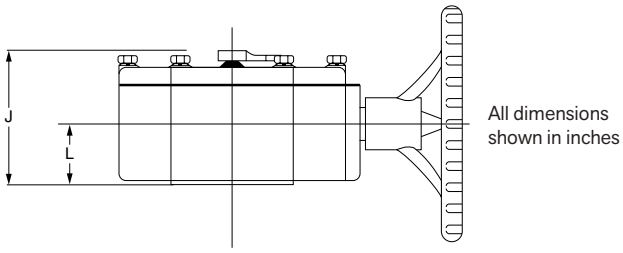
Pipe Size	Pipe O.D.	Min. Pipe I.D.
4	4.80	2.61
6	6.90	4.96
8	9.05	7.22
10	11.10	9.22
12	13.20	10.97
14	15.30	12.56
16	17.40	14.59

Nominal Valve Size	A	B	C	CC	D	E	F	G
4	5-1/2	3-1/2	6-7/8	9	7-11/16	1-5/16	8 - 5/8	7-1/2
6	6-1/2	5-1/8	9	11	7-7/8	1	8 - 3/4	9-1/2
8	7-3/4	6-1/2	11-1/4	13-1/2	8-15/16	1-1/8	8 - 3/4	11-3/4
10	9	9-7/8	14	16	10-15/16	1-3/16	12 - 7/8	14-1/2
12	10-1/2	11-3/8	16-3/8	19	11-1/2	1-1/4	12 - 7/8	17
14	11-7/8	12-11/16	18-7/8	21	11-3/8	1-3/8	12 - 1	18-3/4
16	13-1/2	14-5/16	21-1/4	23-1/2	11-1/2	1-7/16	16 - 1	21-1/4

Note 1: Min. Pipe I.D. value has zero clearance between mating pipe and valve disc. Properly sized piping must include appropriate clearance.

- All dimensions shown in inches.
- Available in sizes 4 through 12 inches.
- D ± 1/16" through 10" valves, ± 1/8" for 12" and larger valves.
- The valve end is designed for iron or PVC pipe with cast iron equivalent O.D.s (not for use with IPS O.D. pipe.)
- Use with "Tyton" (Reg. T.M. or U.S. Pipe & Foundry Co.) rubber ring gasket.

# Actuator Dimensional Data for Models 2FII and MKII Pratt® MDT Manual Actuator



Valve Size	MDT Size	J	L	M	N	P	Q	R	S	T	V	W	# Turns to Close
3 to 10"	MDT-2S	4-7/8	2	2-1/8	2	4-1/2	4-1/4	7-5/8	7-7/8	7-7/8	8	9-1/8	32
12"	MDT-2S	4-7/8	2	2-1/8	2	4-1/2	4-1/4	7-5/8	7-7/8	7-7/8	12	9-1/8	32
14, 16"	MDT-3S	5-5/8	2-7/16	3-1/4	3-5/32	5-5/8	5-3/8	9-1/4	10-1/2	10	12	9-1/8	30
18, 20"	MDT-4S	6-3/8	2-13/16	3-3/8	4	7-5/16	6-3/4	10-1/2	11-1/2	11	12	9-1/8	40

For further information regarding manual actuators, refer to our Butterfly Valve Actuator brochure.

# Notes

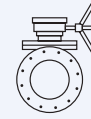
# PRATT® PRODUCT GUIDE



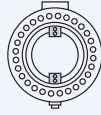
**Model  
2FI**



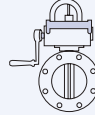
**Monoflange  
MKII**



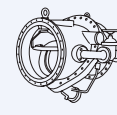
**Plug  
Valve**



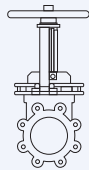
**Triton®  
XR70**



**Indicating Butterfly Valve  
UL & FM approved**



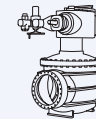
**Tilting Disc  
Check Valve**



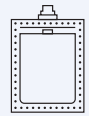
**Knife Gate Valve**



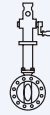
**N-Stamp Nuclear  
Butterfly Valve**



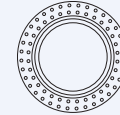
**Cone  
Valve**



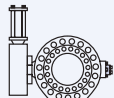
**Rectangular**



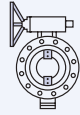
**PIVA Post Indicating Valve Assembly  
UL & FM approved**



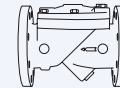
**Sleeve  
Valve**



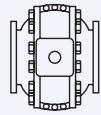
**Rubber Seated  
Ball Valve**



**Triton®  
HP250**



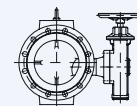
**Check  
Valve**



**Metal Seated  
Ball Valve**

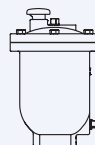


**Control  
Systems**



**Plunger Valve**

**PRATT®**



**Air Valve**

**Mueller Co.**  
Reliable Connections™

The trademarks, logos and service marks displayed in this document herein are the property of Henry Pratt Company, LLC, its affiliates or other third parties. Products above marked with a section symbol (§) are subject to patents or patent applications. For details, visit [www.mwppat.com](http://www.mwppat.com). Copyright © 2018 Henry Pratt Company, LLC. All Rights Reserved.