

RECEIVER GAUGE

3 to 15 psi

3½" - Stainless Steel Case or 4½" - Aluminum Case

The Miljoco P4509LX and P3537 Receiver Gauges are designed for use in combination with a pneumatic transmitter to display the corresponding pressure, temperature, flow or other process variable that is being converted into the proportional air pressure signal. The normal pneumatic transmitter range is 3 to 15 psi, with the low end of the variable set at 3 psi, and the high end of the variable set at 15 psi. The dial can be calibrated to any unit of measure required (percent, degrees, psi, square root, etc.). **CAUTION: Maximum pressure is 15 psi.**

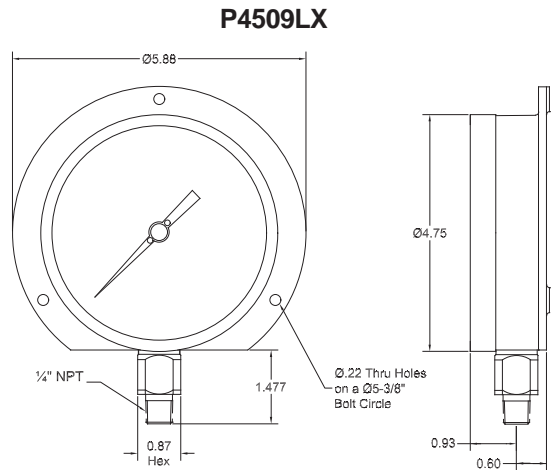


P4509LX

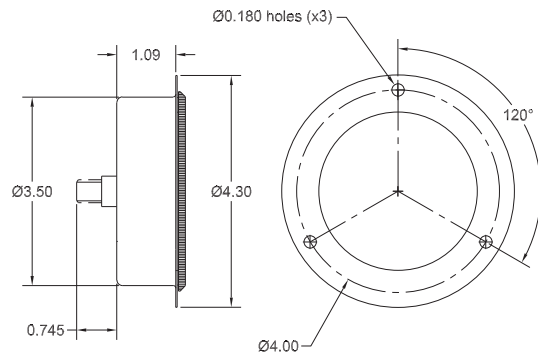
General Specifications

MODEL	P4509LX	P3537
SIZE	4½"	3½"
CASE	Cast aluminum	Stainless steel
MOUNTING	Surface mount, rear flange	Panel mount, front flange
RING	Stainless steel	None
LENS	Glass	Polycarbonate
DIAL	White aluminum	White aluminum
POINTER	Black aluminum, micro-adjustable	Black aluminum, adjustable
MOVEMENT	Stainless steel	Brass
TUBE	Bronze	Bronze
SOCKET	Brass	Brass
CONNECTION	1/4" NPT lower	1/4" NPT rear
ACCURACY	±½%	±2/1/2%
PROCESS TEMPERATURE	-40 to 200°F (-40 to 93°C)	-40 to 200°F (-40 to 93°C)
AMBIENT TEMPERATURE	-40 to 140°F (-40 to 60°C)	-40 to 140°F (-40 to 60°C)

Dimensions (in.)



P3537



Standard Ranges

Code	Range
023	3-15 psi
05L	0-100 (linear)
05P	0-100%
05SR	0-100 sq. root

Other ranges may be available - consult factory.

To Order

P4509LX

Model Number

REC

Receiver Scale

05L

Range Code

200 Elizabeth St. Mt. Clemens, MI 48043

Ph: 888.888.1498 Fax: 586.777.7891 www.miljoco.com

