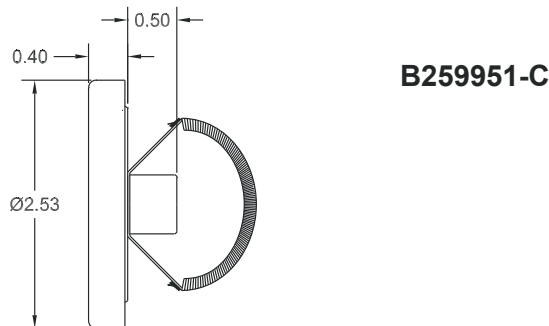
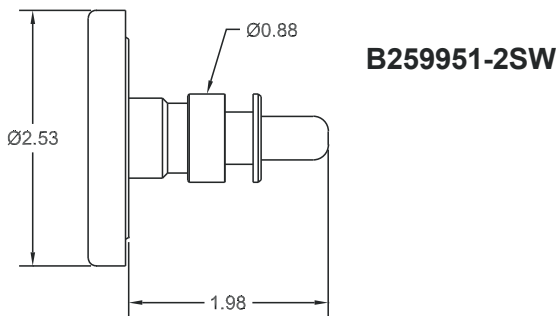
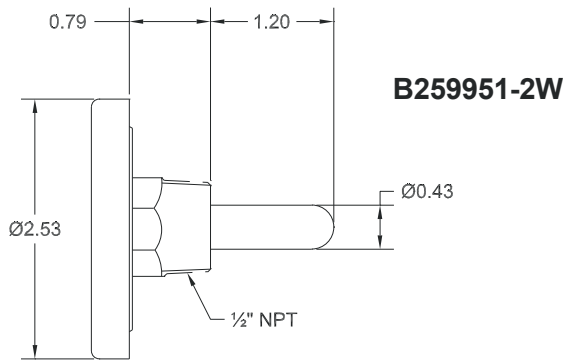


# HOT WATER THERMOMETER

## Bimetal Type - 2½" Dial

The Miljoco Hot Water Thermometer represents a good value for installations where temperature accuracy is less critical and there are no corrosive elements in the environment or process media. This thermometer simply press-fits into the brass thermowell that is provided. A clamp-on version is also available for mounting directly onto a small diameter pipe to eliminate the need for a piping tee. Typical installations are heating coils, hydronic radiant in-floor systems, outdoor wood-burning furnaces, etc.

### Dimensions (in.)



Thermowell included



### Range

Range	°F Scale		°C Scale	
	Fig.	Div.	Fig.	Div.
30 to 250°F / 0 to 120°C	50°	5°	20°	2°

### General Specifications

**CASE:** Zinc plated brass.

**RING:** Chrome plated brass.

**LENS:** Glass.

**DIAL:** Aluminum, white finished with black and red markings.

**POINTER:** Black.

**RECALIBRATOR:** External reset on tip of stem.

**STEM:** Brass

**MOUNTING:**

**B259951-2W:** Brass thermowell, 1/2" NPT

**B259951-2SW:** Brass thermowell, sweat conn.

**B259951-C:** Flexible steel mounting spring

**ACCURACY:** ±5°F & ±2°C.

**AMBIENT TEMPERATURE:** -40 to 250°F  
(-40 to 120°C).

### Options

- Lead-Free: B259951-2W-PBF  
B259951-2SW-PBF

