

# SERIES 130 SAFETY VALVES

Our Series 130 air/gas and steam safety valves are designed for safety and pressure relief for light and medium capacity applications; where a smaller sized valve is needed. Many are manufactured to meet specific field and OEM applications.

## SERIES 130

Top outlet with an open lift lever.

Temperatures -20°F (-29°C) to 406°F (208°C)

ASME and National Board Certified for Section VIII as well as CRN Certifications.

## SERIES 132

Top outlet with a lift lever and cap.

Temperatures -20°F (-29°C) to 406°F (208°C)

ASME and National Board Certified for Section VIII as well as CRN Certifications.

## SERIES 133

Side outlet bonnet with a lift lever and a cap.

Temperatures -20°F (-29°C) to 406°F (208°C)

ASME and National Board Certified for Section VIII as well as CRN Certifications.

## SERIES 135

Side outlet bonnet with a closed cap.

Temperatures -20°F (-29°C) to 406°F (208°C)

ASME and National Board Certified for Section VIII as well as CRN Certifications.

**Usages:** Compressors, Receivers, Gas lines, Steam lines, Air and Gas receivers, Piping system/tanks, Steam cleaners, sterilizers, Autoclaves

**Features:**

- Fixed blow-down
- Brass/bronze construction
- Metal-to-metal seating
- Rugged, yet economical
- Stainless steel springs
- Factory set and sealed
- Excellent seat tightness

**Options:**

- Stainless body and disc
- Polishing and chrome plating
- O2 cleaning
- Variety of inlets/outlets and lift levers or pull ring
- BSPT connections



Set pressures below 15 PSI (1.03 Bar) and above 200 PSI (13.8 bar) are NON-Code.

Maximum back-pressure is 10% of set pressure or 50 PSI (3.45 Bar) whichever is less.

Lifting Device as required by the ASME,  
ASME Section VIII: UG136(3)

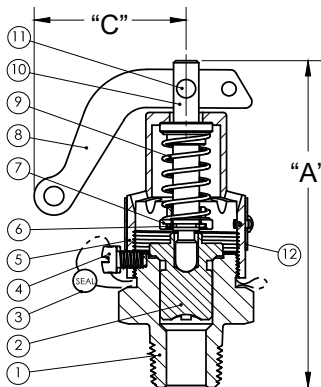
Each pressure relief valve on air, water at the valve inlet that exceeds 140°F (60°C), excluding over-pressure or relief events, or steam service shall have a substantial lifting device which when activated will release the seating force on the disc when the pressure relief valve is subjected to a pressure of at least 75% of the set pressure of the valve.



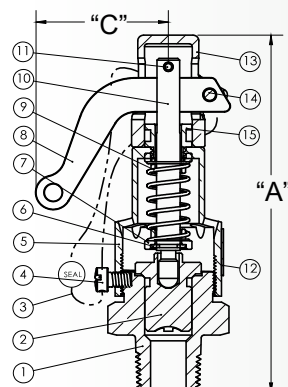
# SERIES 130 INFORMATION

## SERIES 130 THRU 135 PART NUMBERS

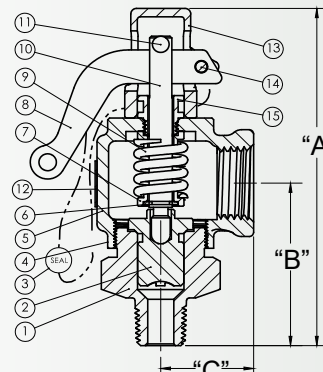
130	B	A	1	M	1	K	1	125
SERIES/DESCRIPTION	INLET/OUTLET	METALS	CONNECTION	SEATING	CAP	SERVICE	OPTIONS	SET
130 Top Outlet w/Lift Lever	A- 1/4" B- 3/8"	A- Brass Bronze	1- NPT MxF 2- NPT FxF	M- Metal	1- Lift lever 2- Closed Cap H- Hood and Lift Lever	K- ASME VIII Air/gas L- ASME VIII Steam N- Non-code Air/gas T- Non-code Steam	1- None 2- Chrome Plating 3- O2 Cleaned	Ex.125
132 Top Outlet Hood And Lift Lever	C- 1/2"	B- 316 SS Bronze	3- BSPT MxF 4- BSPT FxF					
133 Side Outlet Hood And Lift Lever	A- 1/4" x 1/2" B- 3/8" x 1/2"							
135 Side Outlet Closed Cap	C- 1/2" x 1/2"							



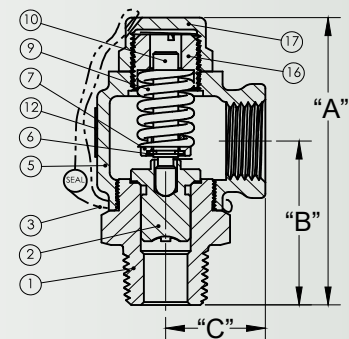
Series 130



Series 132



Series 133



Series 135

SERIES	INLET SIZES	METALS	MIN. TEMP °F (°C)	MAX. TEMP <sup>3,4</sup> °F (°C)	MAX PRESSURE <sup>1,2</sup> PSI (BAR)	SERVICES	CERTIFICATIONS
Series 130	1/4", 3/8"/1/2"	Brass/Bronze	-20° -(-29°)	406° (208°)	200 (13.8)	Air / Gas / Steam	ASME VIII
	1/4", 3/8"/1/2"	Stainless/Bronze	-20° -(-29°)	425° (218°)	200 (13.8)	Air / Gas / Steam	ASME VIII

### SERIES 130 THRU 135

ITEM	DESCRIPTION	BRASS OPTION	STAINLESS OPTION
1	Body	B16 Brass	SA479-316 SS
2	Disc	B62-C83600	SA479-316 SS
3	Seal Wire	Steel/Lead	Steel/Lead
4	Lock Screw	B16 Brass	B16 Brass
5	Bonnet	B16/B584-C84400	B16/B584-C84400
6	Support	Stainless	Stainless
7	Spring Plate	B16 Brass	B16 Brass
8	Lift Lever	Plated Steel	Plated Steel
9	Spring	302 SS	302 SS
10	Spring Post	B16 Brass	B16 Brass
11	Lift Pin	B16 Brass	B16 Brass
12	Nameplate	Stainless	Stainless
13	Hood	B584-C84400	B584-C84400
14	Lever Pin	B16 Brass	B16 Brass
15	Hood Mount	B16 Brass	B16 Brass
16	Pressure Screw	B16 Brass	B16 Brass
17	Hood	B16 Brass	B16 Brass

### SERIES 130 CAPACITY AIR - SCFM

SLOPE	SET PSI	10	20	30	40	50	60	75	100	125	150	175	200
0.403	SCFM	11	15	19	24	28	33	39	50	61	72	84	95

### SERIES 130 CAPACITY STEAM - Lbs/hr

SLOPE	SET PSI	10	20	30	40	50	60	75	100	125	150	175	200
1.130	Lbs/Hr	31	43	54	66	79	91	110	141	172	203	234	265

Set pressures not limited to this chart. Specify when ordering.  
Capacities are at 3 PSI or 10% (whichever is greater) over set pressure

### SERIES 130 THRU 135

SERIES	INLET	OUTLET	SEAT	DIMENSIONS - in (mm)			MAX SET PSI - (BAR)	WEIGHT Lbs. (Kg)
				A	B	C		
130	1/4"-3/8"-1/2"	Top	1/2"	3-1/4" (83)	-	1-1/2" (38)	200 (13.8)	1/2 (0.2)
132	1/4"-3/8"-1/2"	Top	1/2"	3-7/8" (98)	-	1-3/8" (35)	200 (13.8)	3/4 (0.3)
133	1/4"-3/8"-1/2"	1/2"	1/2"	3-3/4" (95)	1-7/8" (48)	1-1/8" (29)	200 (13.8)	5/8 (0.3)
135	1/4"-3/8"-1/2"	1/2"	1/2"	3" (76)	1-3/4" (44)	1-1/8" (29)	200 (13.8)	5/8 (0.3)